

Focused Solutions

Freedom Innovations is solely focused on developing world-class lower-limb solutions in close collaboration with amputees and prosthetists. These solutions encompass technological innovations, service, training, educational resources and consultative support to help ensure user satisfaction.

Kinterra 2.0 Technical Specifications

Sizes: 22-31 cm (Sandal-toe available in sizes 22-28 cm)

Build Height: 120 mm-124 mm

User Weight Limit: 125 kg (275 lbs)

Product Weight (range): 795 g (28 oz)-992 g (35 oz)

Stiffness Categories: 7 (low & moderate impact)

Split Toe: Yes

Heel Height: 10 mm (3/8 in)

Foot Shell CAP: Upon request
(with non-sandal-toe shell only)

Skin Tones: 3 (light, medium, and dark)

Attachment Type: Male pyramid

Warranty: Foot module 36 months, Foot shell 6 months



The Ideal Combo

Pair the Kinterra® 2.0 with a Plié®3 MPC Knee to experience the best in stability with a gait that is fluid and natural.

Target Users

K3

- Low to moderate impact K3 level users who would benefit from improved stability and comfort
- Unilateral and bilateral amputees
- Users with knee or flexion limitations

Not recommended for K4 level individuals who frequently run or high impact athletes without a secondary sports prosthesis.

Determine Your Impact Level

Low	Moderate
Walking	Biking
Gardening	Camping
Shopping	Hiking
Golfing	Dancing
Fishing	Skating

Stiffness Category Selection Chart

Weight (lbs)	Impact Level		Weight (kg)
	Low	Moderate	
100-115	1	1	44-52
116-130	1	2	53-59
131-150	2	3	60-68
151-170	3	4	69-77
171-195	4	5	78-88
196-220	5	6	89-100
221-255	6	7	101-116
256-275	7		117-125

Human First

PROTEOR USA

3 Morgan
Irvine, CA 92618
phone: 855.450.7300
email: info@proteorusa.com
www.shop.proteorusa.com

PROTEOR Europe

6 ru de la Redoute
21850 St. Apollinaire, France
phone: +33 (0)3 80 78 42 08
email: cs@proteor.com
www.proteor.com

USA Manufacturing & Returns

425 East 400 North
Gunnison, UT 84634

Connect with us



#PROTEOR #HumanFirst



FREEDOM
Kinterra™ 2.0
FOOT/ANKLE SYSTEM
by PROTEOR

Extraordinarily
Normal.

Mark
Irvine, CA



FREEDOM
Kinterra™ 2.0
FOOT/ANKLE SYSTEM
by PROTEOR

The Kinterra™ 2.0 Foot/Ankle System combines hydraulics and carbon fiber technology to provide low to moderate K3 amputators an exceptionally normal walking gait—regardless of terrain or walking speed. This results in rock solid stability and the confidence for users to choose a new path.

The Kinterra 2.0 articulating ankle delivers:

- Increased ground contact and a more symmetrical gait
- Improved stability and safety, especially on slopes and varied terrain
- Reduced socket pressures for healthier residual limbs
- Enhanced comfort while sitting
- User confidence and satisfaction



12°
OF MOTION

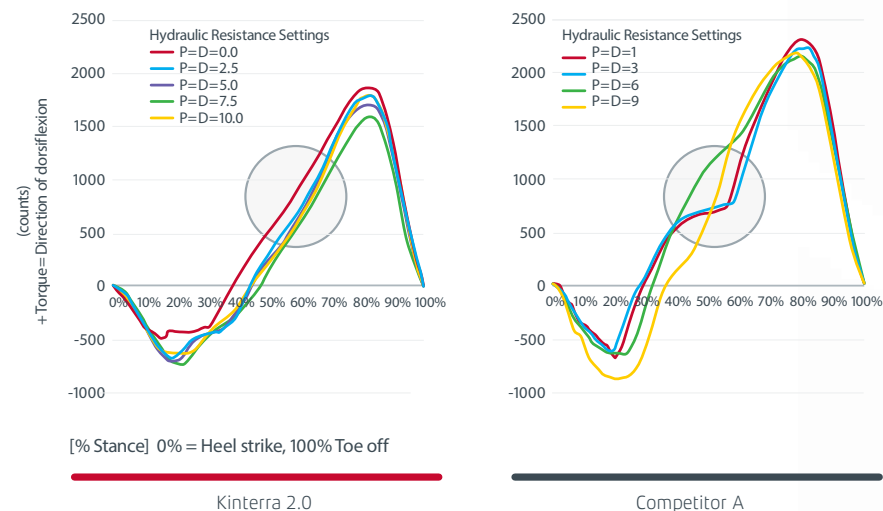
12° of motion and a posterior pivot joint provide stability and a gait closer to biological norms on slopes – without compromising performance on level ground.

Extraordinarily Normal

Adapt to the terrain

Kinterra 2.0 provides a gait closer to biological norms during level ground ambulation at all hydraulic resistance levels. This ensures that hydraulic motion, while walking on slopes, can be optimized for each user's activity level and walking style. Drop-off and floating sensations are eliminated. The result is a system that provides improved stability on all terrains.

Level Ground Ambulation - Ankle Torque, Sagittal Plane
(Single amputee, normal gait speed)



Optional Sandal Toe
Available in sizes 22-28 cm in light, medium, and dark skin tones.

Split keel & heel increase ground compliance and improve stability

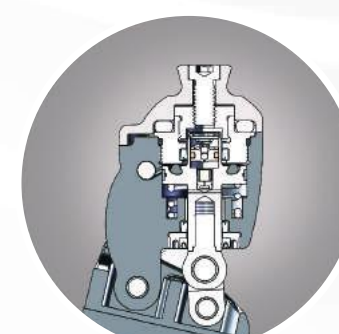
Progressive ankle stop eases transition from the Hydraulic ankle to the loading of the carbon keel, delivering a fluid motion and rollover

Above-the-shell adjustments for PF and DF make set-up fast and easy



Ankle/foot binding designed to enhance smoothness of gait

A full length, unbolted sole plate ensures seamless stance phase roll-over for superior comfort



Designed for Durability

- Rugged shaft, seal, and bushing design
- Optimized oil viscosity
- Volume/temperature compensator
- Oil flow pathway designed for maximum function and reliability
- Superb bolt strength



Stumble and Fall Prevention

Dorsi-Assist Spring aids low and moderate impact users in toe clearance during swing phase to prevent stumbles and falls